

Flood Fighting Solutions



The most extensive history of implementing temporary water control solutions in the world.

Portadam has been providing temporary water diversion solutions for nearly four decades. The knowledge and expertise gained by protecting critical infrastructure, as well as commercial and industrial property is unparalleled. Our full product lineup and service-oriented approach ensures that your needs will be met.

Working with site owners, our team of exceptional, safety-minded professionals draws on that extensive experience to identify unique, site-specific solutions.



Our portfolio of modular, engineered systems enables custom configurations.

Flat and level is never the norm. The flexibility engineered into our flood protection systems allows us to utilize components with different heights to accommodate varying surface elevations and obstructions. Our site surveys allow us to customize a solution to conform to the specific conditions of your location, giving you the confidence that you will be deploying the best temporary flood protection system possible.



Quick setup & removal and reusability of our systems are unparalleled.

The time it takes to setup and to remove the system is a fraction of that of sandbags/supersacks and other labor-intensive systems. The crews and equipment requirements for deployment are significantly less as well. In contrast to rudimentary methods such as sandbags, our systems are reusable and don't require additional time and costs that are inherent with disposal logistics (cleanup/transport/dumping) of sandbags or other fill-based devices.

Designed for a long life, the systems are constructed of high-quality, durable steel or lightweight aluminum. The life expectancy of the core components of our system is many decades. The resilient impervious fabrics can be deployed and reused many times before replacement is a consideration. This reduces the annualized cost of protection significantly.

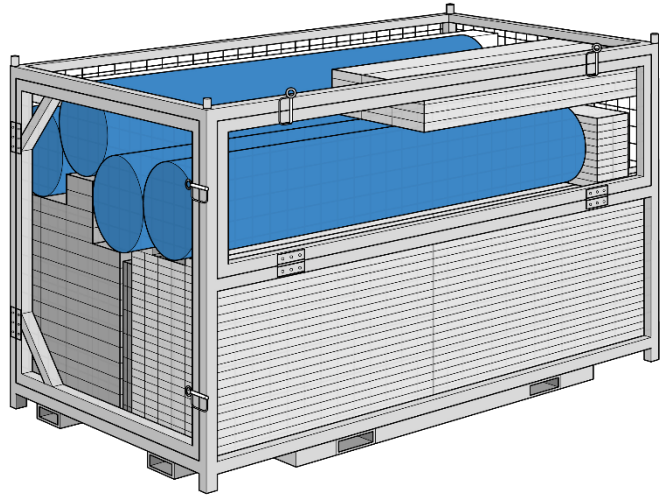




Compact design for ease of storage, transport and deployment.

The systems are engineered in a manner that allows for transport to a location and onsite with ease. The design is such that the systems require the minimum amount of storage space for the maximum amount of protection near high risk areas.

For example: 150 linear feet of 48” protection can be stored in a single portable, stackable crate and deployed by a crew of 4 in an hour or less.



Rigorously tested and certified.

The US Army Corps of Engineers has fully tested and vetted the original Portadam system. Results of tests were so convincing that they decided to purchase and include the original Portadam system in their arsenal of flood fighting tools.



Full-service flood protection provider.

Portadam offers you the level of service and support you desire. First and foremost, we offer the expert flood protection knowledge on a consultative basis. Additionally, we can help you obtain a flood risk analysis report on your location based on proprietary scientific analysis. A comprehensive flood protection implementation plan can also be developed by our expert team. We can then design and deliver the best flood protection system to protect your property. Our experts can provide initial and subsequent annual refresher training to your on-site team to ensure proper deployment when required. If needed, we have the teams to install and remove the customized system. You have the flexibility to select the best combination of our full-service offerings to meet your exact requirements.

